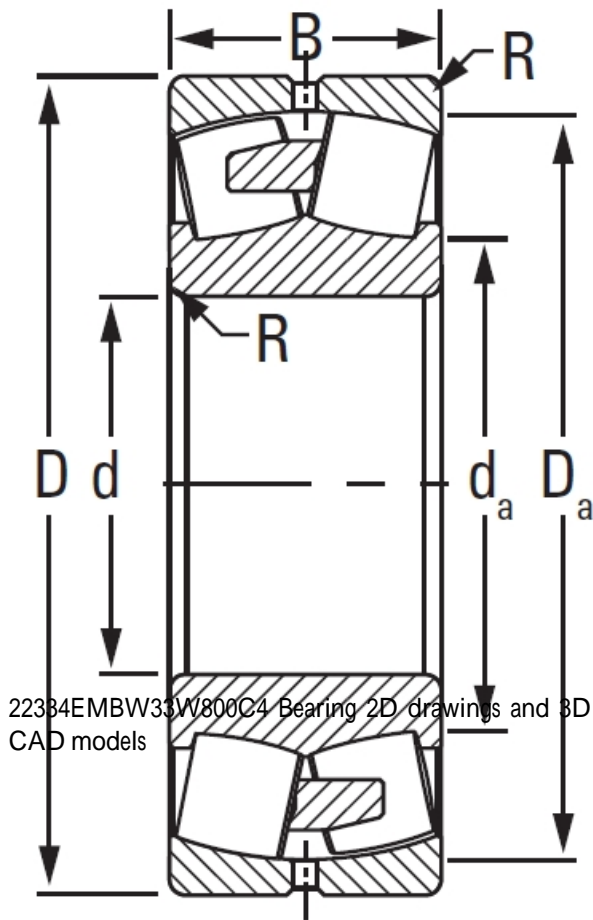




# BEARING CORP.

## TIMKEN 22334EMBW33W800C4 Bearing

Bearing No. 22334EMBW33W800C4



22334EMBW33W800C4 Bearing 2D drawings and 3D CAD models

Design Unit	METRIC
Bearing Weight	59.9 Kg
Cage Type	EMB
UPC Code	087796231580
Cage Material	Brass
Superseded Part	22334YMBW33W800C4
d	170 mm
D	359.993 mm
B - Inner Ring Width	120 mm
B - Outer Ring Width	120 mm
R - Inner Ring To Clear Radius <sup>1</sup>	3.0 mm
r - Outer Ring To Clear Radius <sup>2</sup>	3.0 mm
da - Inner Ring Backing Diameter	219.000 mm
Da - Outer Ring Backing Diameter	325.000 mm
C0 - Static Radial Rating	2360000 N
C1(2) - Dynamic Radial Rating (Two-Rows)	2000000 N
e - ISO Factor <sup>3</sup>	0.32
Y0 - ISO Factor <sup>4</sup>	2.11
Y1 - ISO Factor <sup>5</sup>	3.15
Y2 - ISO Factor <sup>6</sup>	2.07
Reference Thermal Speed Rating (Grease)	1200
Reference Thermal Speed	1400



## BEARING CORP.

Rating (Oil) <sup>7</sup>	
Cg - Geometry Factor <sup>8</sup>	0.0955